



Product Brochure

PREDATOR HD



Outstanding Visibility under the Starlight



Dual lamp unit shown (covers IR160SW and IR225 products), other colours available.



Product Brochure

PREDATOR HD



FULL 1080P HIGH DEFINITION VIDEO

High Speed High Definition Ruggedised Pan, Tilt and Zoom Camera

UK Manufacture
Designed and Manufactured in the UK.

Paint Colour Options
Any colour, any quantity.

Attack Detect Feature
Predators will automatically return to their original position if physically moved/attacked.

Protocols
ONVIF 'S' compliant or 360SDK, see our web site for the many compatible VMS systems.

Intelligent Lighting control
Illumination automatically adjusts the lighting intensity to ensure the highest quality images under variable lighting conditions.

Illumination
Full range of 'Patent Pending' Dual IR & White Light options. Up to 225 metres of IR lighting and up to 150 metres of white light giving 'COLOUR VIDEO at NIGHT'. Sirius illumination combines narrow, medium and wide angle lenses to give a wide range of light spread (from 9° to 45°). Choice of standard IR 850nm or covert 940nm available.

IP68 Certification
IP68 certified for the harshest environments.

Extreme Low Light cameras
Extreme low light cameras with mono video images as low as 0.0008 lux (no illumination)

Built in EDGE recording option - 128 or 256Gb Storage on board
Continuous/FTP Upload/Network Loss/Alarm Scheduled recording option to On Board Storage.

Privacy Zones
24 privacy zones are available with simple joystick positioning and sizing.

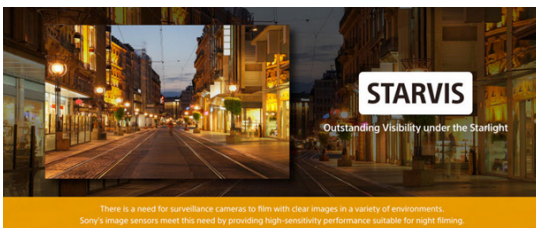
POE
HD Predator available as a POE version, with Sirius illumination up to IR100WL.

Maritime Paint
10 year maritime paint option.

Warranty
3 year warranty



Dual lamp unit shown (covers IR150SW and IR225 products), other colours available.



There is a need for surveillance cameras to film with clear images in a variety of environments. Sony's image sensors meet this need by providing high-sensitivity performance suitable for night filming.

Predator Hybrid: Patent Pending Technology from 360 Vision

Option giving Ultra High Resolution ANALOGUE and 1080p HD output/control, for system migration to full HD.

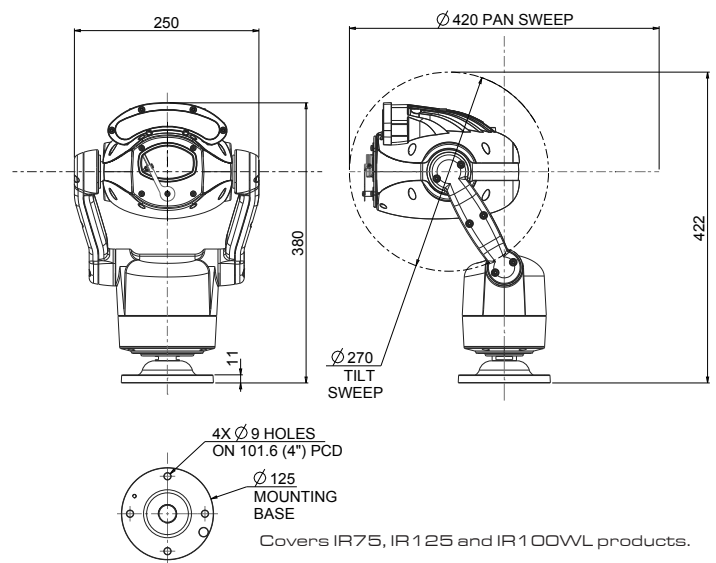
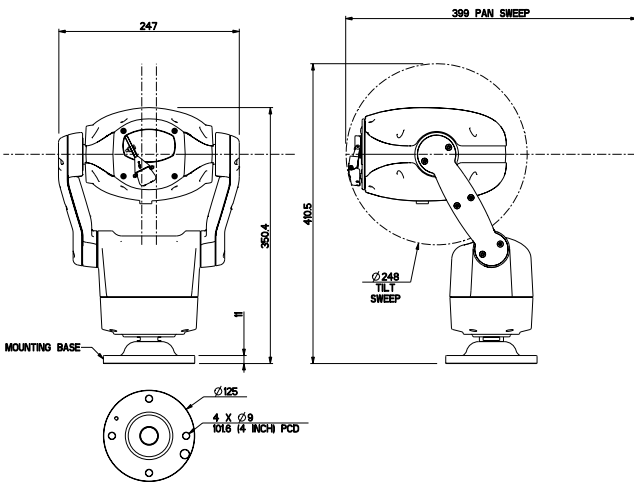


PREDATOR HD



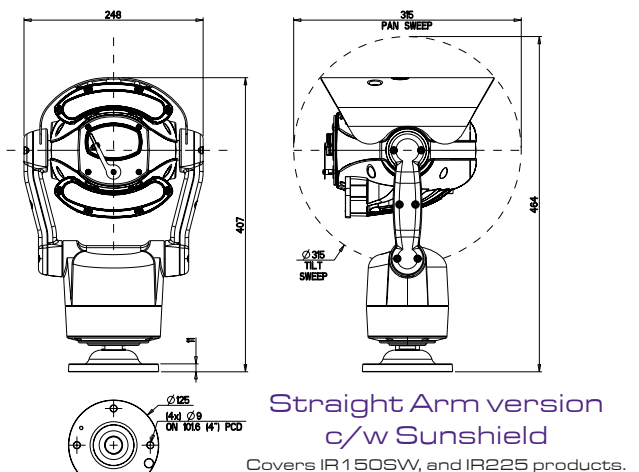
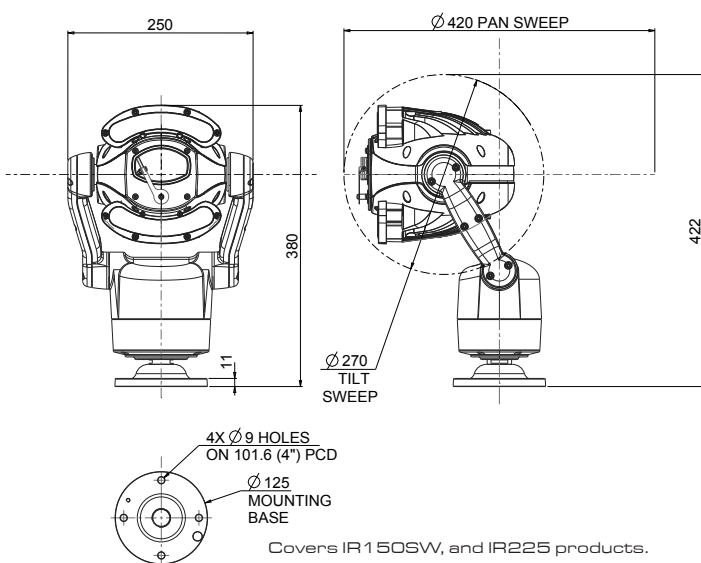
Predator with no lamps
Weight: 7.5kg

Predator with single lamp
Weight: 8kg



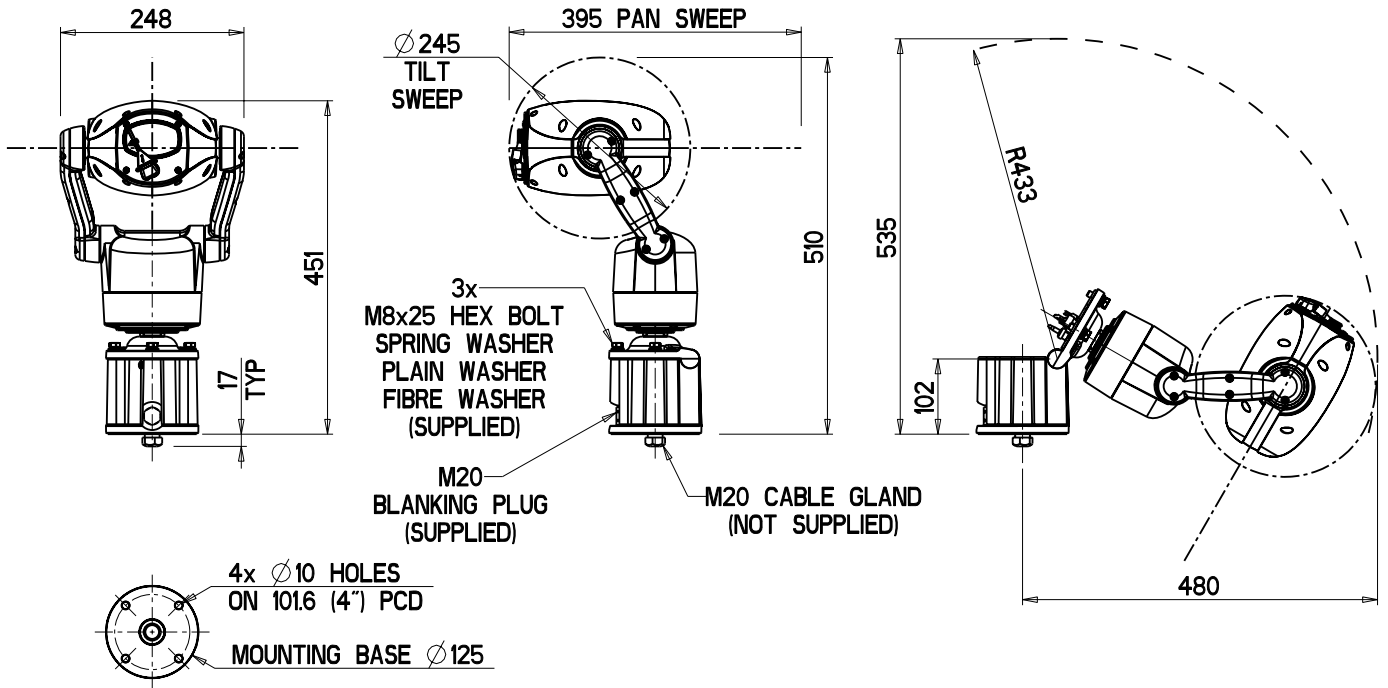
Predator with dual lamps
Weight: 8.5kg

Predator with dual lamps
Weight: 8.9kg



HMA (Hinged Mount Adapter) no lamps

Weight: 9.5kg



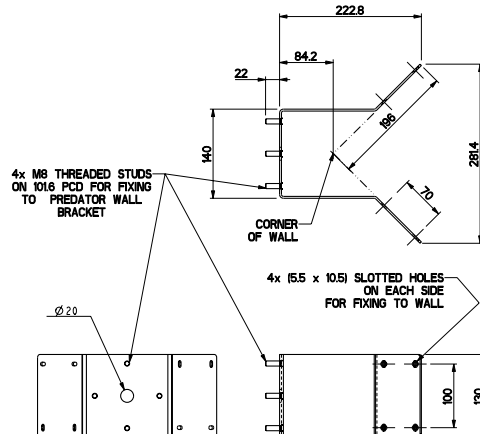
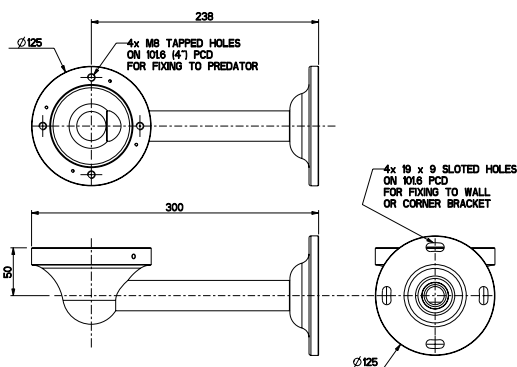
PREDATOR HD Bracketry

Wall Bracket

Weight: 1.2kg

Corner Bracket

Weight: 2.2kg

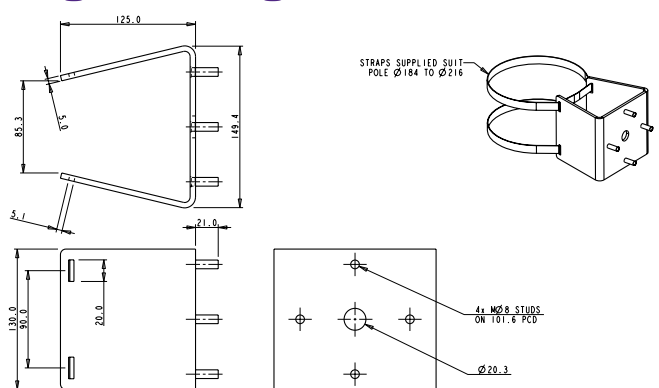
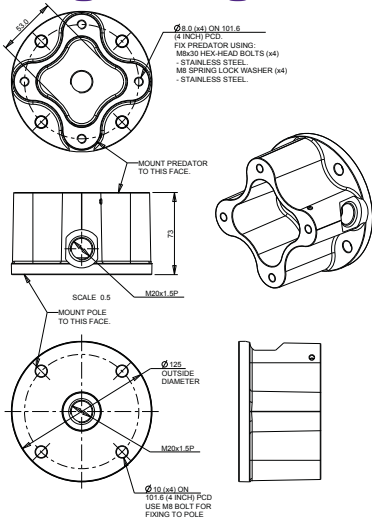


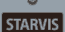
Pole Mount Adapter (PMA)

Weight: 1 kg

Pole Mount Bracket (PMB)

Weight: 2.5kg



PRODUCT SPECIFICATION	30x 		
Colour/Mono	Yes		
Imager (CMOS)	1/2.8-type Exmor R		
Zoom - Optical + Digital	30x, 12x		
Zoom - Total	360x		
Pixels	Approx 2.13 Megapixels		
Horizontal view angle	2.3°(T) - 63.7°(W)		
Lens Size	4.3 - 129mm		
Min Sensitivity - colour	0.0013 Lux		
Min Sensitivity - mono Int	0.0008 Lux		
Signal Noise Ratio	>50dB		
Picture Freeze	Yes		
Picture Flip	Yes		
PRODUCT FEATURES	ALL PREDATOR units have the following functions		
Focus/Iris	Auto/Manual		
Presets	360		
Tours	4 (max 90 presets per tour)		
Learned Patrols	4 mimic tours - up to 30 minutes duration each		
Privacy Zones	Up to 24		
Variable pan speed/coverage	0.1 - 120°/sec, 360° continuous rotation, absolute positioning		
Variable tilt speed/coverage	0.1 - 120°/sec, 180°, absolute positioning		
Auto Homing	Goes to preset, tour or mimic tour after prescribed time		
Col/Mono Changeover	4 levels - 3 fixed, 1 custom/user defined		
Operating temperature	-50°C to +60°C with optional heater		
Power	24vac 160VA		
Power POE	82 watts maximum		
Mounting options	Wall, Corner, Pole and Soffit		
Certification	CE & FCC approval; Ingress IP68; Impact IK10; Vibration & Shock certified approvals		
SIRIUS ILLUMINATION	IR & WHITE LIGHT		
IR75	IR 75 metres		
IR125	IR 125 metres		
IR100WL	IR 100 metres, WL 100 metres		
IR150SW	IR150 metres, WL 150 metres		
IR225	IR 225 metres		
WEIGHTS			
Predator (No lamps)	7.5kg		
Predator (Single lamps)	8kg		
Predator (Dual lamps)	8.5kg		
Predator (HMA, No lamps)	9.5kg		
CODEC	25fps	ASPECT	30fps
HD1080p	1920x1080	16:9	1920x1080
HD720p	1280x720	16:9	1280x720
D1	720x576	4:3	720x480
VGA	640x480	4:3	640x480
QVGA	432x240	16:9	432x240
Distribution	Multi Codec 2 streams		
Image Compression	H.264, MPEG4, MJPEG		
Protocols	ONVIF (S), TCP/IP, HTTP, RTP, RTSP, 360SDK		
Compression levels	CBR, VBR CVBR		

HMA: Hinged Mounting Adapter



Hinged Mounting Adapter (HMA) is designed to assist in the installation of the Predator allowing access to the cable connections 'hands free'.

Installers can now install the Predator using standard cables, so no need for pre-made cables. Enabling the Predator to be positioned up to 100 metres from the power supply (dependent on Predator/cable specification).

All trademarks are used courtesy of registered owners. PREDATOR HD is a registered trademark of 360 Vision Technology Ltd. The manufacturer reserves the right to change specifications without notice.



360 Vision Technology Ltd

Unit 7 Seymour Court Manor Park Runcorn Cheshire WA7 1SY UK
 Tel: +44 (0)870 903 3601 Fax: +44 (0)870 903 3602
 info@360visiontechnology.com
 www.360visiontechnology.com





360VISION
TECHNOLOGY